



PRODUCT DATASHEET

LE 1035xxx / 1235xxx- DIRECTIONAL

A recessed Directional trim less down light with a common design language across the Flush family finishing completely flush in either skimmed plaster or tape, joint ceilings having limited void depth.

For use with MR16 lamps & light engines halogen or LED being fitted in a mounting collar at the top of the recessed insert which is designed to accept three (3) accessories e.g honey comb louvre, beam shaping lenses, colour filters and the light source all retained with a stainless steel spring clip.

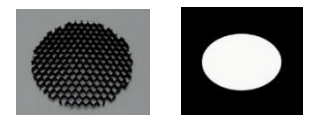
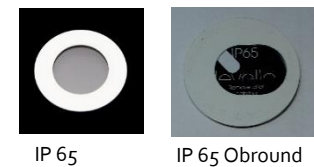
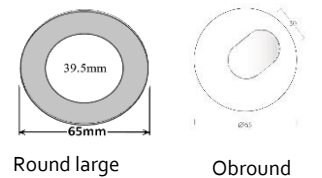
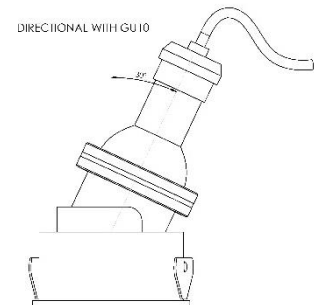


Ref Number:

- LE1035 Non Fire rated with white front plate
- LE1235 Fire Rated with white front plate

Characteristics:

Overall diameter	65mm
Cut out hole size	62mm
Overall height	-MR16 12v GY5.3 110mm -MR16 230v GU10 160mm -PLCG2 Light engine 100mm
Lamp / light sources	-MR 16 halogen / LED replacement lamps -LED light engines
Maximum Power	40 watts halogen
Maximum lamp diameter	50mm (MR16)
Adjustable	Vertical 35 degree Horizontal 360 degree
Ingress Protection	IP20 / 65 –function of front plate
60 minutes fire rating	Available
Pre wired connection sets	GU 10 230v / GU 5.3 12v Complete with mains connector
Front plates & finishes	-Standard white RAL 9010 -Primed ready for decoration -RAL colours to order
Glare / Spill control	-Baffles White / Black / RAL colours to order -Honey comb louvre
Effects filters / lenses	-Beam shaping lenses -Glass filters



Job reference	Building / room	Product ref:	Lamp type	Qty



PRODUCT DATASHEET

---